

# AFX

AFX-Lb compact and space saving

## MAIN SPECIFICATIONS

### Basic Layout

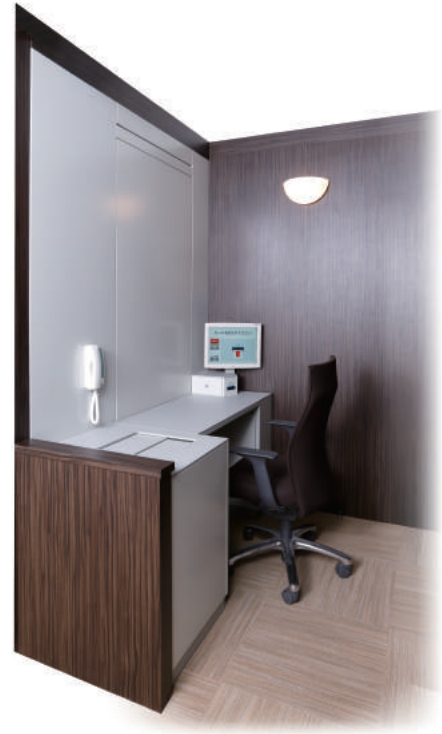
Front ejection type : 1booth 3bays only

### Height of SDB Room

H2240mm

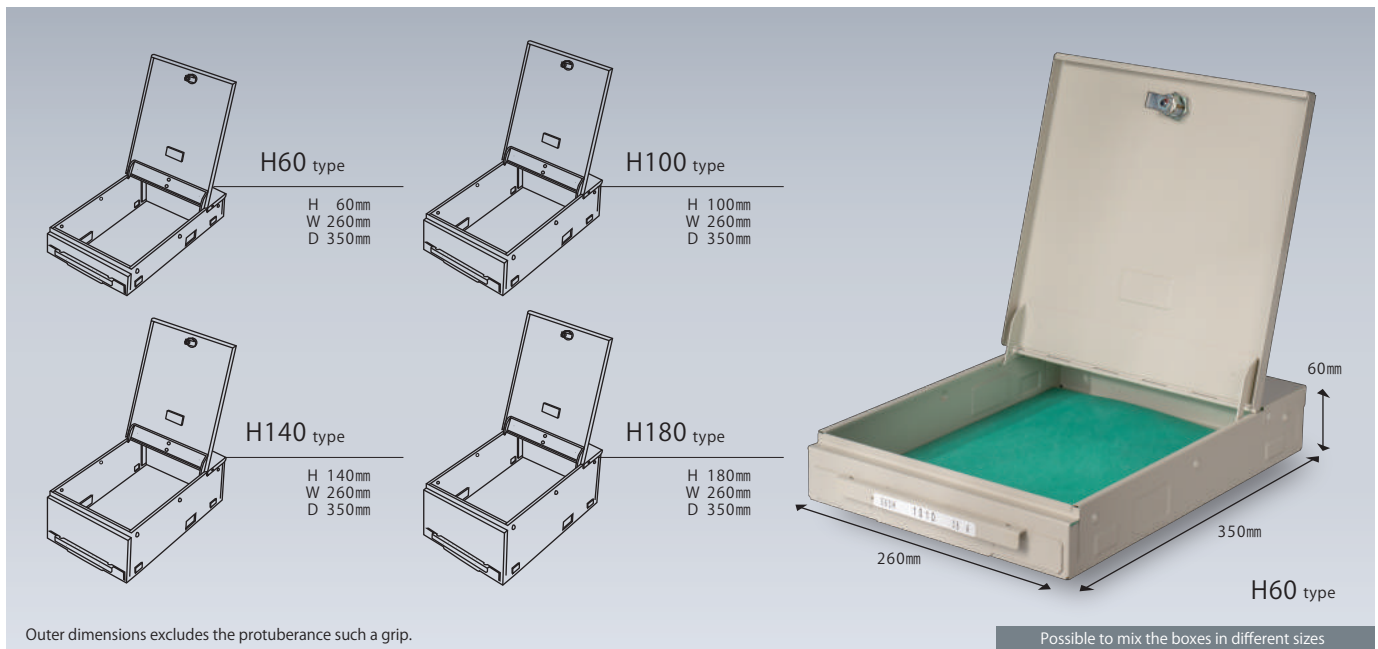
### Box

4 variation (W260mm x D350mm)



## 4-type bond box

There are 4 kinds of bond box. The best box is selected according to user purpose or the size of valuables.



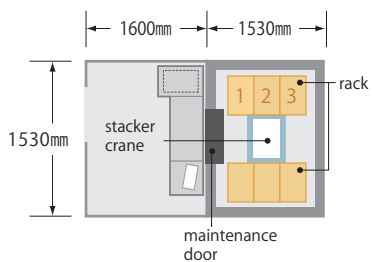
## Compact design

### FRONT TYPE ONLY

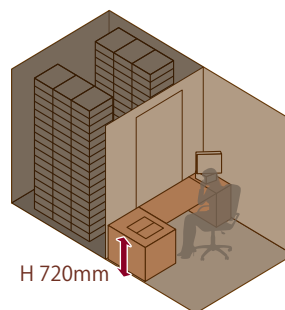
1 booth

Left ejection counter

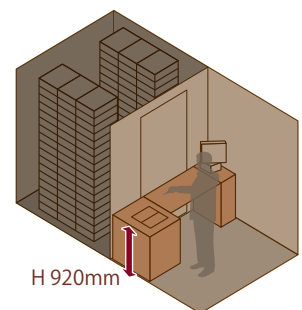
Rack : 3 bays



## Selectable counter



Sitting Type



Standing Type