

UNI GATE S

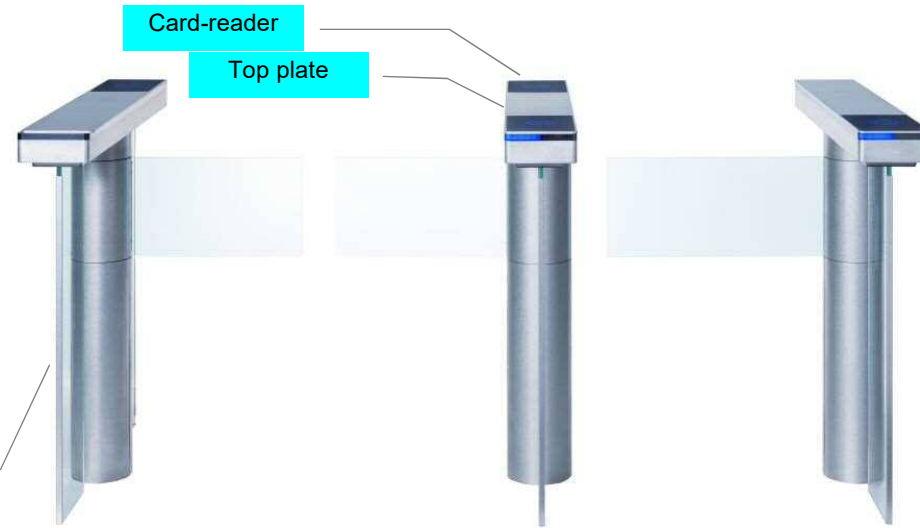
GOOD DESIGN AWARD 2019

STYLISH AND COMPACT

Simple and sophisticated design followed the image of UNI GATE.

UNI GATE S has realized a compact size with a depth of 980mm to meet more installation requirements while keeping the beautiful design.

Small body enables installation in the various locations.



1. FEATURES

Minimal-Design harmonized with space

Simple and minimalistic design matches to any architectural space. UNI GATE S creates a stylish area without disturbing any space expressions.

Compact body is suitable for small space

The top plate length of UNI GATE S is much shorter than UNI gate. The compact body enables installation in the narrow space.

Space and cost saving

Although other security gates require the drive unit of flap-panels for both sided bodies, UNI GATE S can be operated with one side drive unit (only for standard aisle). This design change can reduce not only space but also cost.

UNI GATE S



UNI GATE



UNI GATE S

2. SELECTABLE FLAP-PANELS

■ Length of flap-panel

Long flap-panel or short flap-panel can be selected. Long flap-panel minimizes the clearance between gate body and flap-panel when the panel is closed. It prevents the passer from slipping through the lane.

In case of short flap-panel, the ends of flap-panel does not protrude from the gate body when the panel is open.

Long flap-panel



Closed flap-panel
(Front)



Open flap-panel
(Side)

Short flap-panel



Closed flap-panel
(Front)



Open flap-panel
(Side)

■ Color of flap-panel

Glass-colored flap-panel or clear flap-panel can be selected. You can choose one in accordance with the design of installation site.



Glass-colored flap-panel



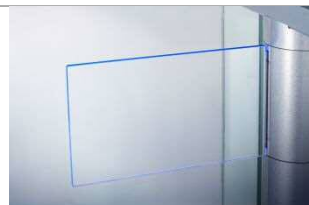
Clear flap-panel

3. OPTION

Flap-panel LED

LED to illuminate the edge of flap-panel for decoration

* Choose "clear flap-panel" for better decoration.



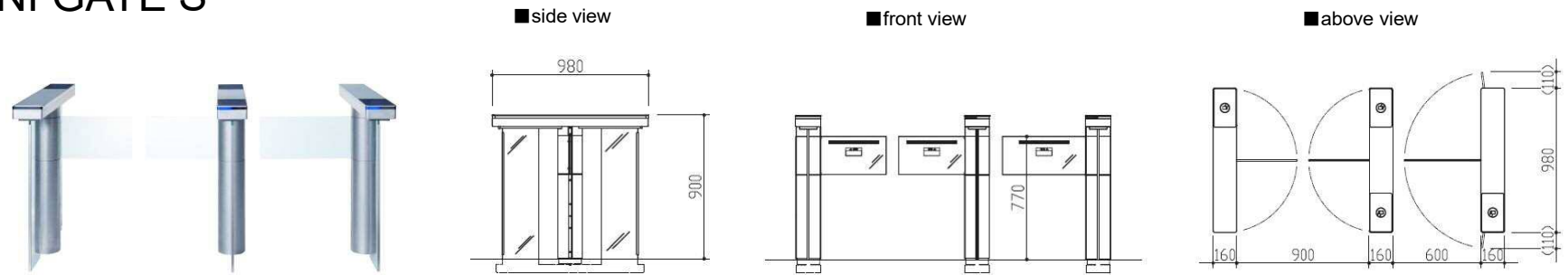
LED footlight

LED to illuminate lower part of guide glass for decoration

Crawling detection sensor

Detects unauthorized passage under the flap-panel

UNI GATE S



Access control system	Not included
Passage direction	Both directions
Passage capacity	Max. 50 people/ min.
Aisle width	Standard(narrow) aisle : 600 mm, Changeable within the range 600 - 650 mm Wide aisle : 900 mm, Changeable within the range 900 - 950 mm
Dimensions for gate body	W160 x H900 x D980 mm ※Installation with exposed-base cover: H985mm
Flap-panel height	770 mm over the floor ※Installation with exposed-base cover: 855mm
Net weight	Side(main): approx. 70kg, Side(standard aisle/sub): approx. 60kg, Side(wide aisle/sub): approx.70kg, Center: approx.70kg ※Installation with exposed-base cover: Side(main): approx. 75kg, Side(standard aisle/sub): approx. 65kg, Side(wide aisle/sub): approx.75kg, Center: approx.75kg
Main materials	Body : Stainless steel, Tempered clear glass, Polycarbonate, ABS resin Flap-panel : Acrylic acid resin Guide glass : Tempered clear glass Structural members : Galvanizing steel plate, Structural steel, Stainless steel
Finish	Stainless : Vibration finish
Power supply	AC220V±10%
Consumption power	Standard aisle; Not in use : 17.6W(38.9VA) In use : max. 47.4W(118.9VA) Wide aisle; Not in use : 23.1W(50.4VA) In use : max. 74.7W(189.5VA)
Power outage	Flap-panels can be opened easily with your hands in case of power outage.
Operation environment	0 - 40°C (no condensing)
Installation environment	Indoor
Exposed-base cover	This is the makeup base cover for gates which cannot be installed directly on the floor.